

### PRODUCT CODE

RELAY-25

### PRODUCT DESCRIPTION

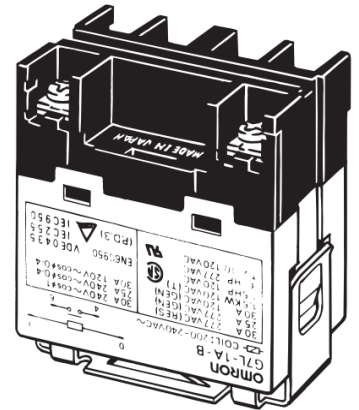
The Relay-25 is a 25A-240V relay used to increase the load switching capacity of the Warmup thermostats (15A). Together a thermostat and relay can switch up to 800 sqft of heated floors.

### FEATURES

- Compatible with NADCM, NADWM, NADWS, FOIL and WODH systems.
- UL Class B construction standard.
- AC-activated coil that handles 200 to 240 VAC at either 50 or 60 Hz.
- Miniature size with maximum switching capacity.
- Flame resistant materials (UL94V-0-qualifying) used for all insulation material.
- Screw terminals for line, loads and coils.
- Conforms to UL, CSA, TUV and meets IEC 950.
- RoHS Compliant.
- 240V coils

### APPLICATION

- This Relay-25 fits in a standard single gang box. It is used in conjunction with the 4iE® Smart thermostat series as well as the Tempo thermostat, in order to expand the original 15 amp capacity. It is specifically designed for large applications beyond 800 sqft.
- Built for quiet operation, the relay can be mounted in an adjacent closet or in a space above or below. It connects to the 4iE® Smart thermostat via a 240V coil on the relay.



WARMUP INC.

USA: [us@warmup.com](mailto:us@warmup.com)

Tel.: 1-888-927-6333

[www.warmup.com](http://www.warmup.com)

CANADA: [ca@warmup.com](mailto:ca@warmup.com)

Tel.: 1-888-592-7687

[www.warmup.ca](http://www.warmup.ca)

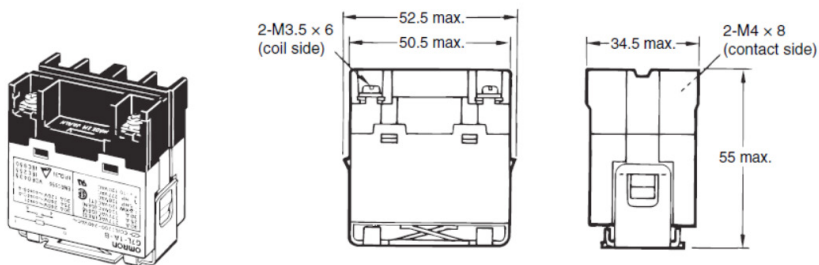
### LIMITATIONS

- For use with indoor floor heating systems only.
- Use the power relay in a dry environment free from excessive dust, SO<sub>2</sub>, H<sub>2</sub>S, or organic gas.
- Do not allow a voltage greater than the maximum allowable coil voltage to be applied continuously.
- Do not use the power relay outside of specified voltages and currents.

### INSTALLATION

Although there are no specific limits on the installation site, it should be as dry and dust-free as possible. Using in an atmosphere of high humidity and corrosive gas may deteriorate its performance characteristic caused by condensation or corrosive products, resulting in failure or burn damage of the Relay.

### Screw Terminal Models



WARMUP INC.

USA: [us@warmup.com](mailto:us@warmup.com)

Tel.: 1-888-927-6333

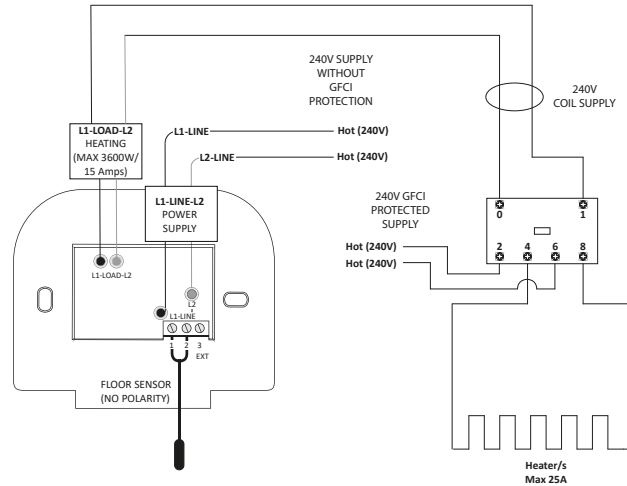
[www.warmup.com](http://www.warmup.com)

CANADA: [ca@warmup.com](mailto:ca@warmup.com)

Tel.: 1-888-592-7687

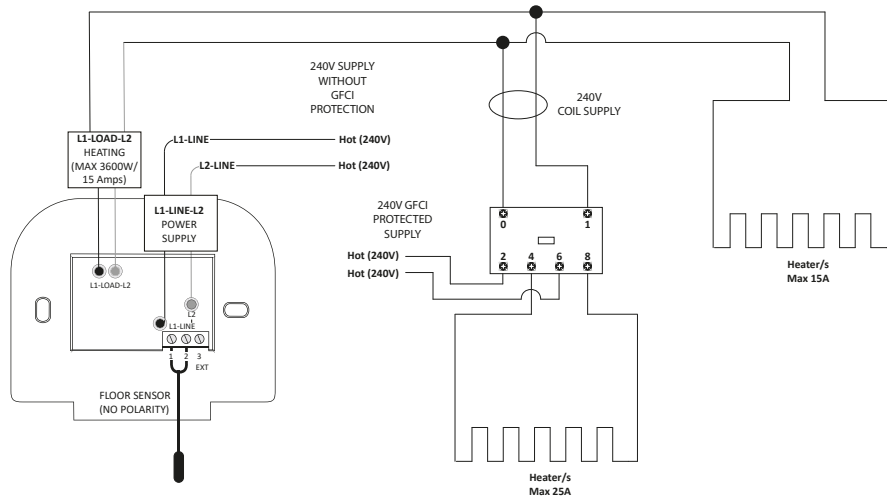
[www.warmup.ca](http://www.warmup.ca)

### Heating Loads Connect to Relay-25 only, controlled by the 4iE®



### Heating Loads Connect to Relay-25 and 4iE®

Relay-25: max load 25A  
 Max load: 15A  
 Total Max Load: 40A



WARMUP INC.

USA: [us@warmup.com](mailto:us@warmup.com)

Tel.: 1-888-927-6333

[www.warmup.com](http://www.warmup.com)

CANADA: [ca@warmup.com](mailto:ca@warmup.com)

Tel.: 1-888-592-7687

[www.warmup.ca](http://www.warmup.ca)



The world's **best-selling** electric floor heating brand™

# GENERAL PURPOSE RELAY-25 SUBMITTAL SHEET WSC-1116

## TECHNICAL SUPPORT

Warmup is available 24/7/365 at (888) 927-6333.

For quotes, layouts and specific technical information, contact us at:

Warmup USA

(888) 927-6333

us@warmup.com

Warmup CANADA

(888) 592 7687

ca@warmup.com

## RELATED PRODUCTS

- 4iE® Smart WiFi Thermostat - see WSC-0926

### **International Flooring Center, Inc.**

5047 W Jefferson Blvd

Los Angeles CA 90016

Tel 323 731 8453

[www.flooringsupplyshop.com](http://www.flooringsupplyshop.com)

#### **WARMUP INC.**

USA: us@warmup.com

Tel.: 1-888-927-6333

[www.warmup.com](http://www.warmup.com)

CANADA: ca@warmup.com

Tel.: 1-888-592-7687

[www.warmup.ca](http://www.warmup.ca)



The world's **best-selling** electric floor heating brand™