

ETOG – Ground Sensor

Snow and ice Melt Ground Sensor for use with USETO2

Ground Sensor ETOG-56 – Wiring Diagram

The ETOG-56 Ground Sensor is designed for embedding in the outdoor surface using the ETOK-1 sensor tube. It detects both temperature and moisture. Sensor tube ETOK-1 and Mounting tube for ETOG-56 are supplied with a wood plug for covering the ETOK-1 hole during installation. There is a notch on the side for the conduit.

Please look below for the wiring for both Version 1 and 2 of the ETOG.

Fig. 1

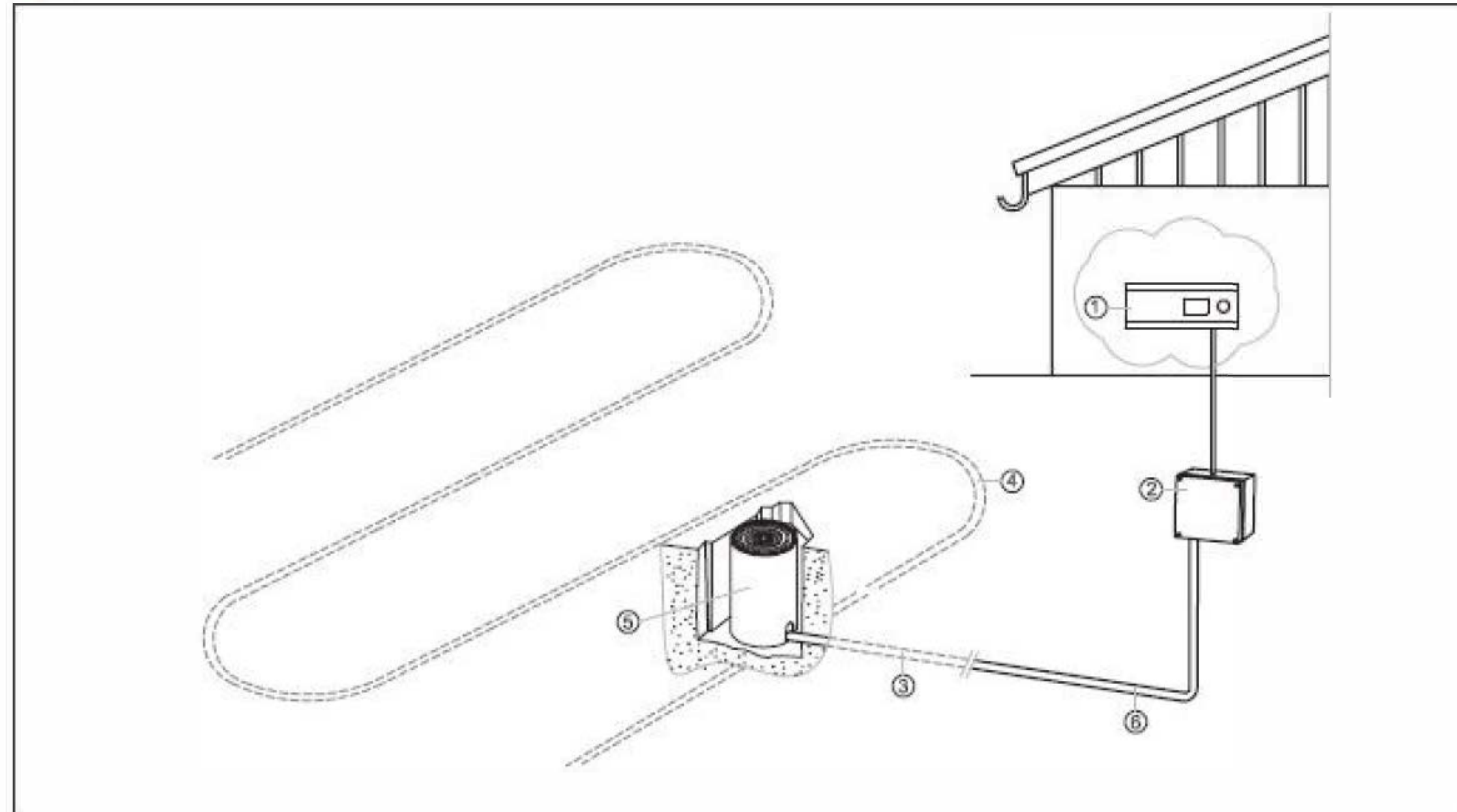


Fig. 1

- 1 = Snow melting thermostat ETO2 / ETR2.
- 2 = Junction box (only if sensor cable is too short)
- 3 = Conduit for sensor cable
- 4 = Heating cable
- 5 = ETOG-56 sensor
- 6 = Sensor cable

Fig. 2

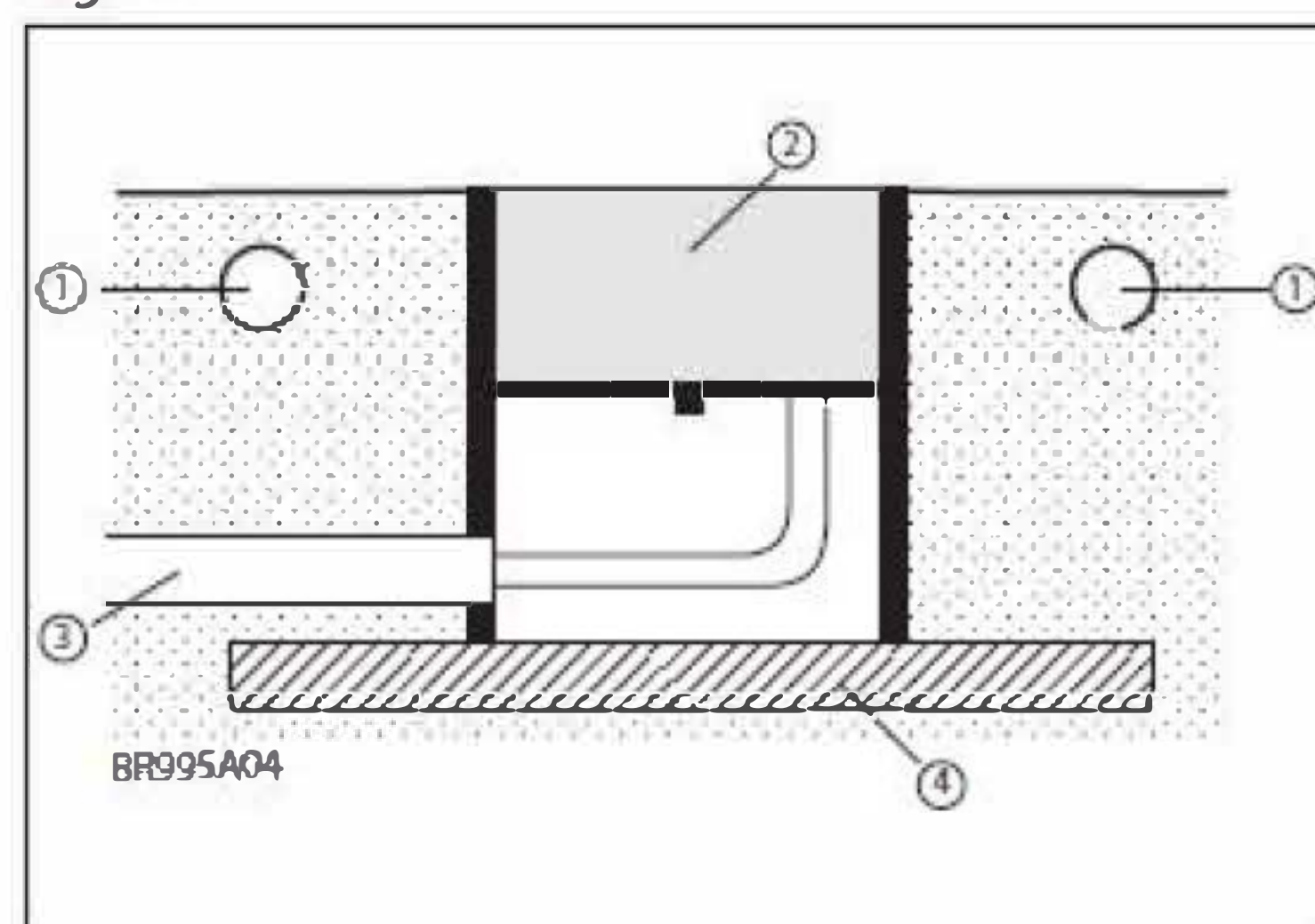


Fig. 3

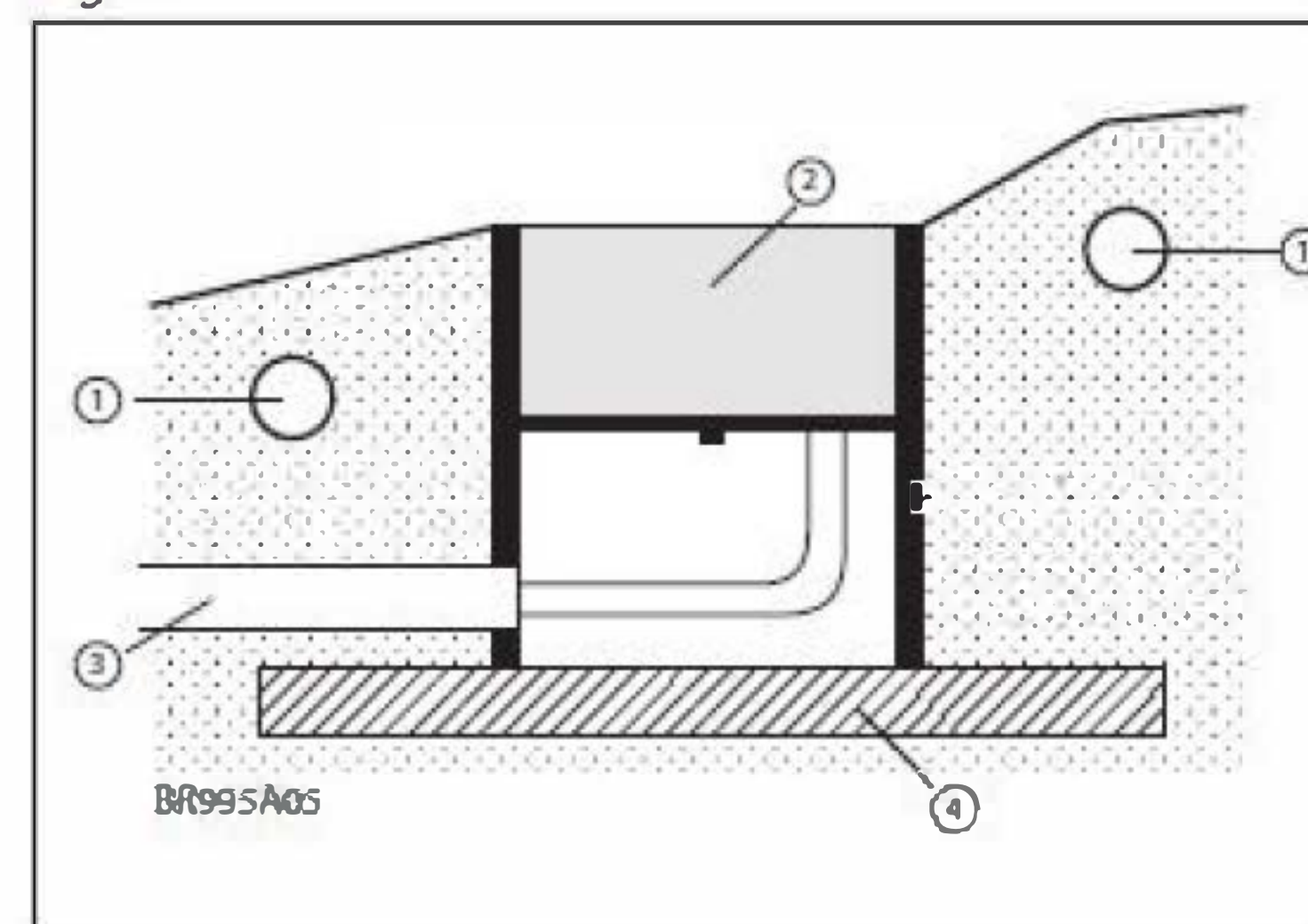


Fig. 2 + 3

- 1 = Heating cable
- 2 = Ground sensor, EF 50-25 H
- 3 = Protective duct for sensor cable
- 4 = Paving slab in case of soft substrate

Fig. 4

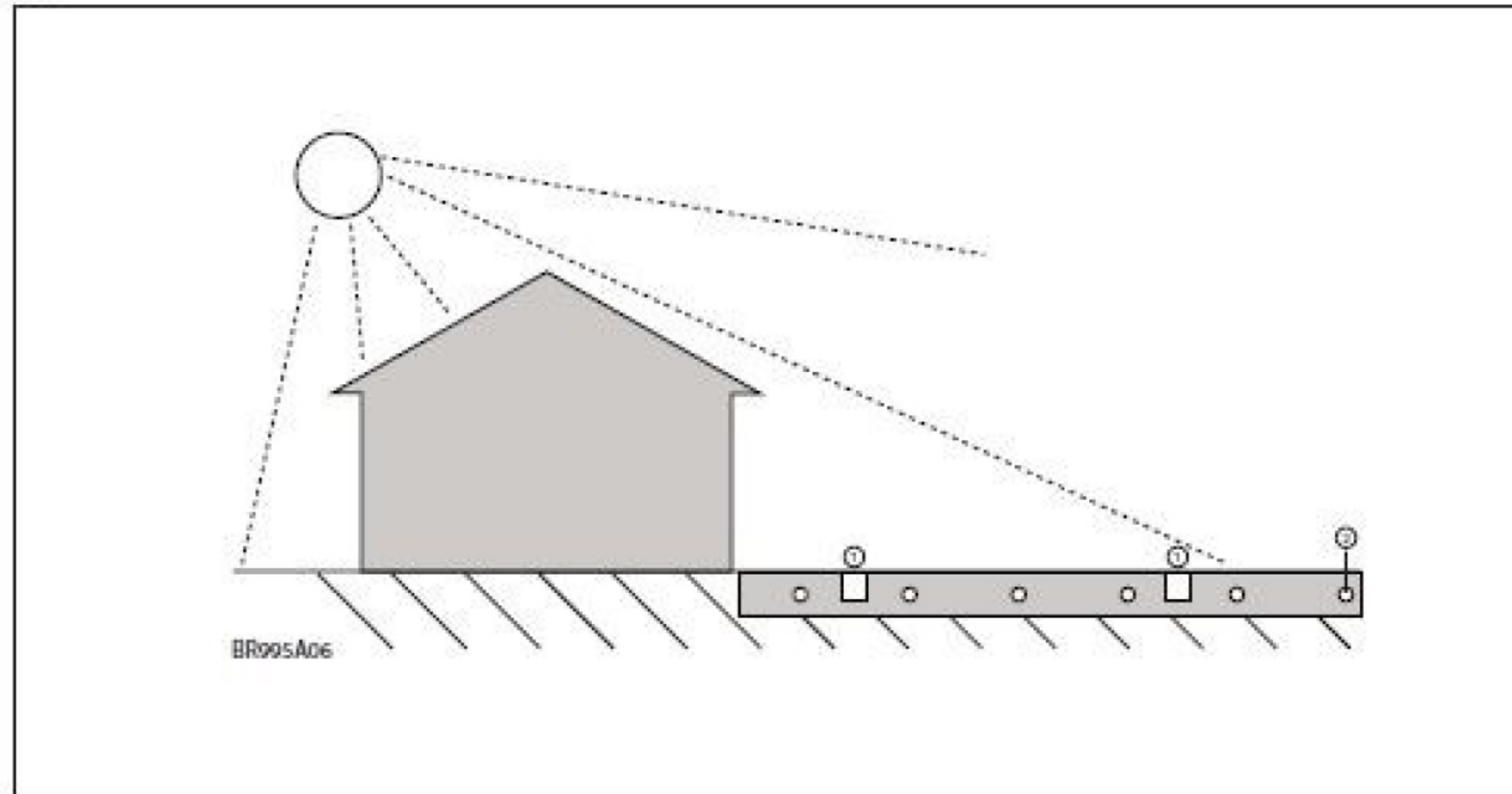


Fig. 4

1 = Ground sensor, ETOG-56
2 = Heating cable

Fig. 5

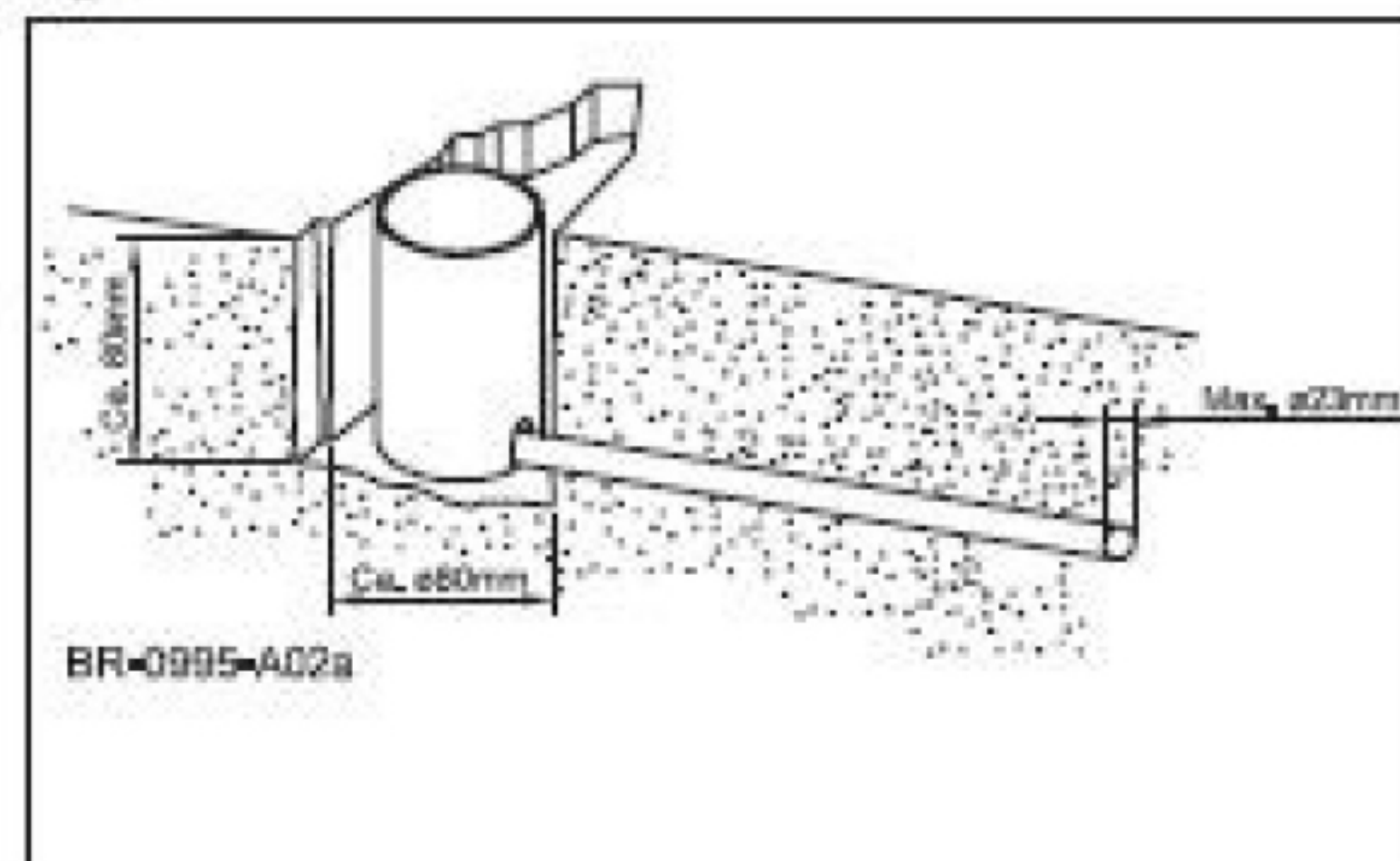


Fig. 6

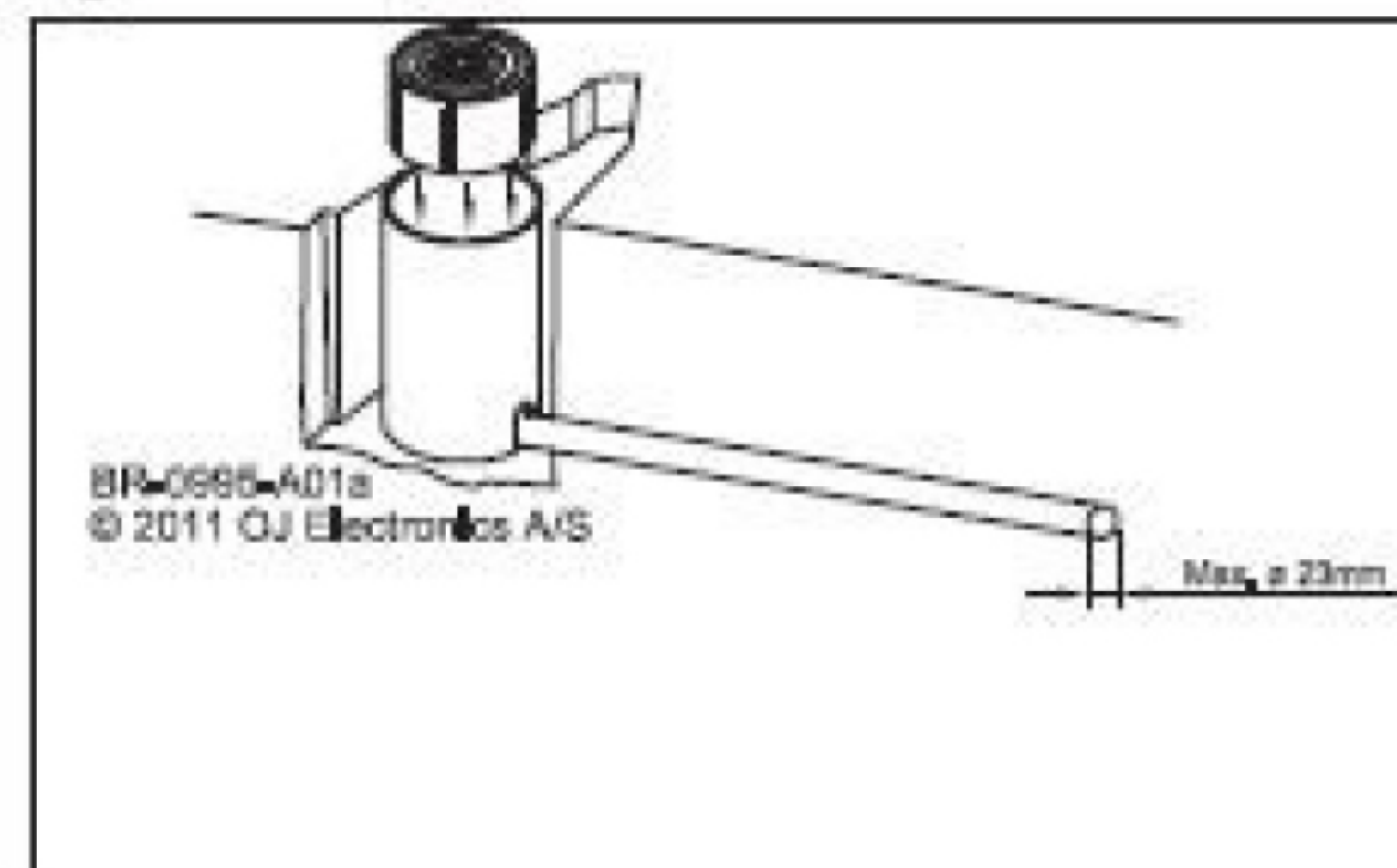
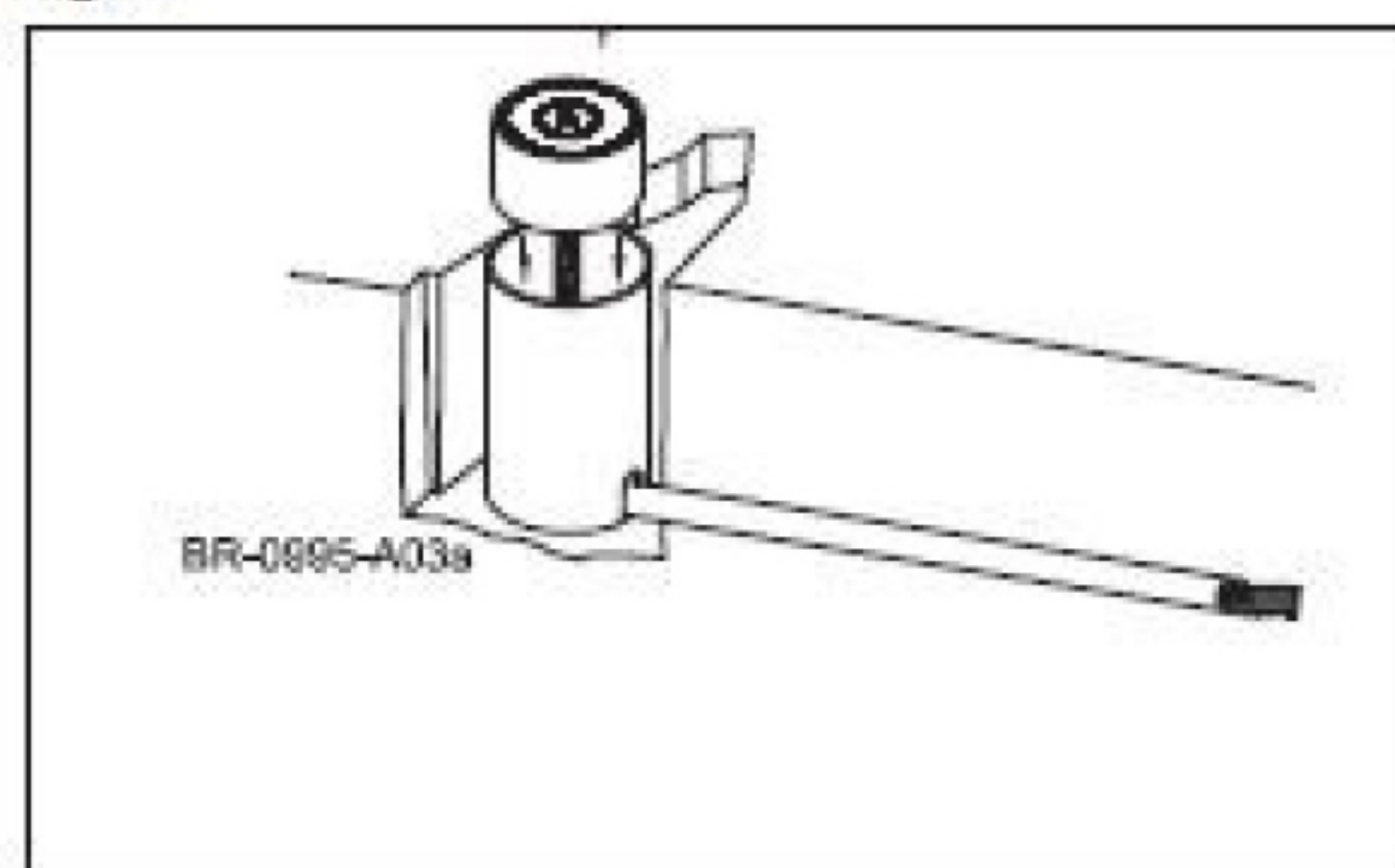


Fig. 7



International Flooring Center, Inc.
USA: contact@flooringsupplyshop.com
1-323-731-8453
www.flooringsupplyshop.com.com