

SDMD058 600 x 1000

Height: 600

Tube \varnothing : 31.8 + 22

Width: 1000

Electric element: 125 W

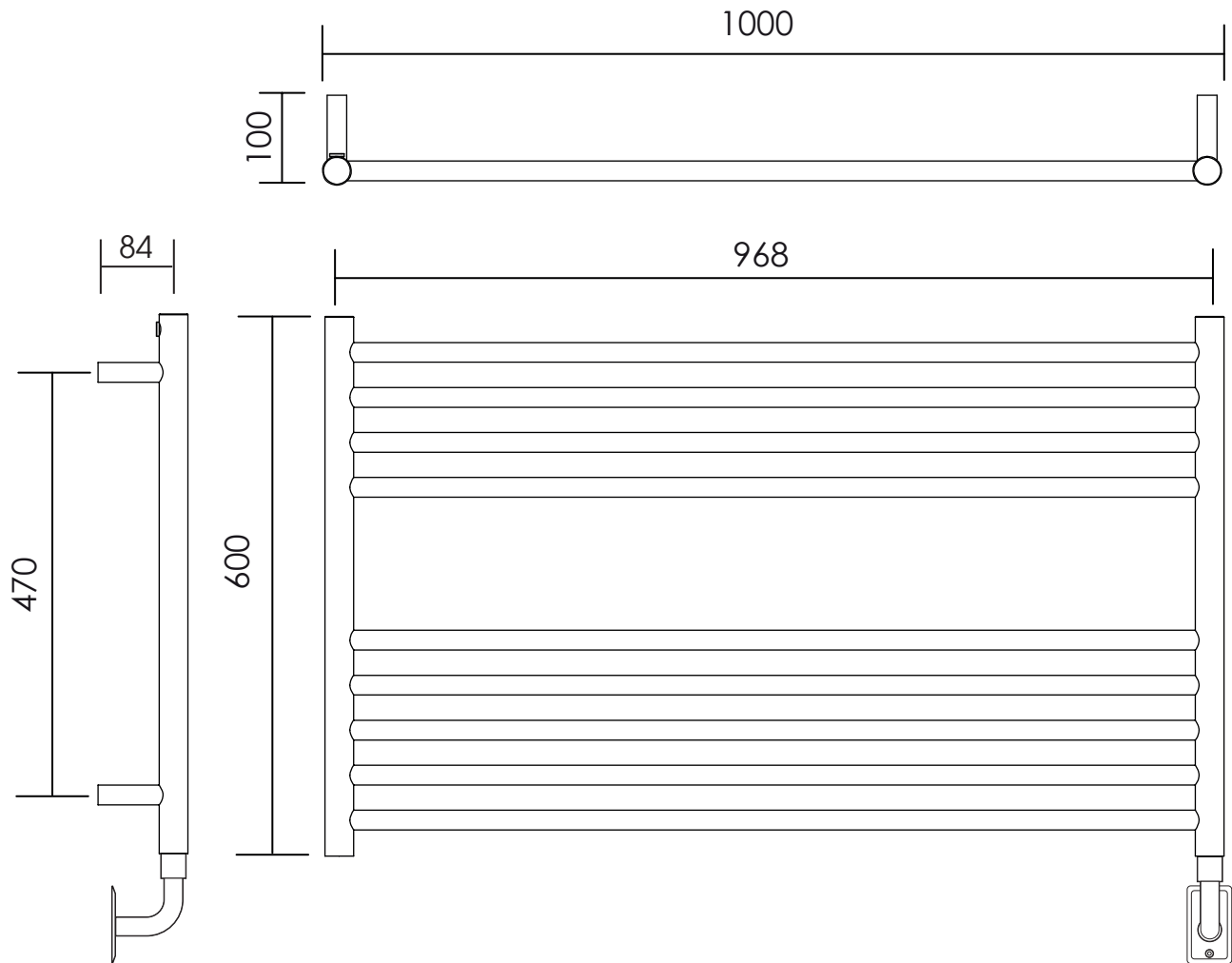
Depth: 100

ALL DIMENSIONS IN MILLIMETRES

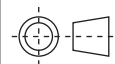
Manufactured from 1.4301/X5CrNi18-10 stainless steel

mm inches

600	23.6"
1000	39.4"
100	3.9"
470	18.5"
968	38.1"
84	3.3"



ALL MEASUREMENTS ARE NOMINAL DIMENSIONS ONLY, AND ARE NOT BINDING



SCALE 1:8