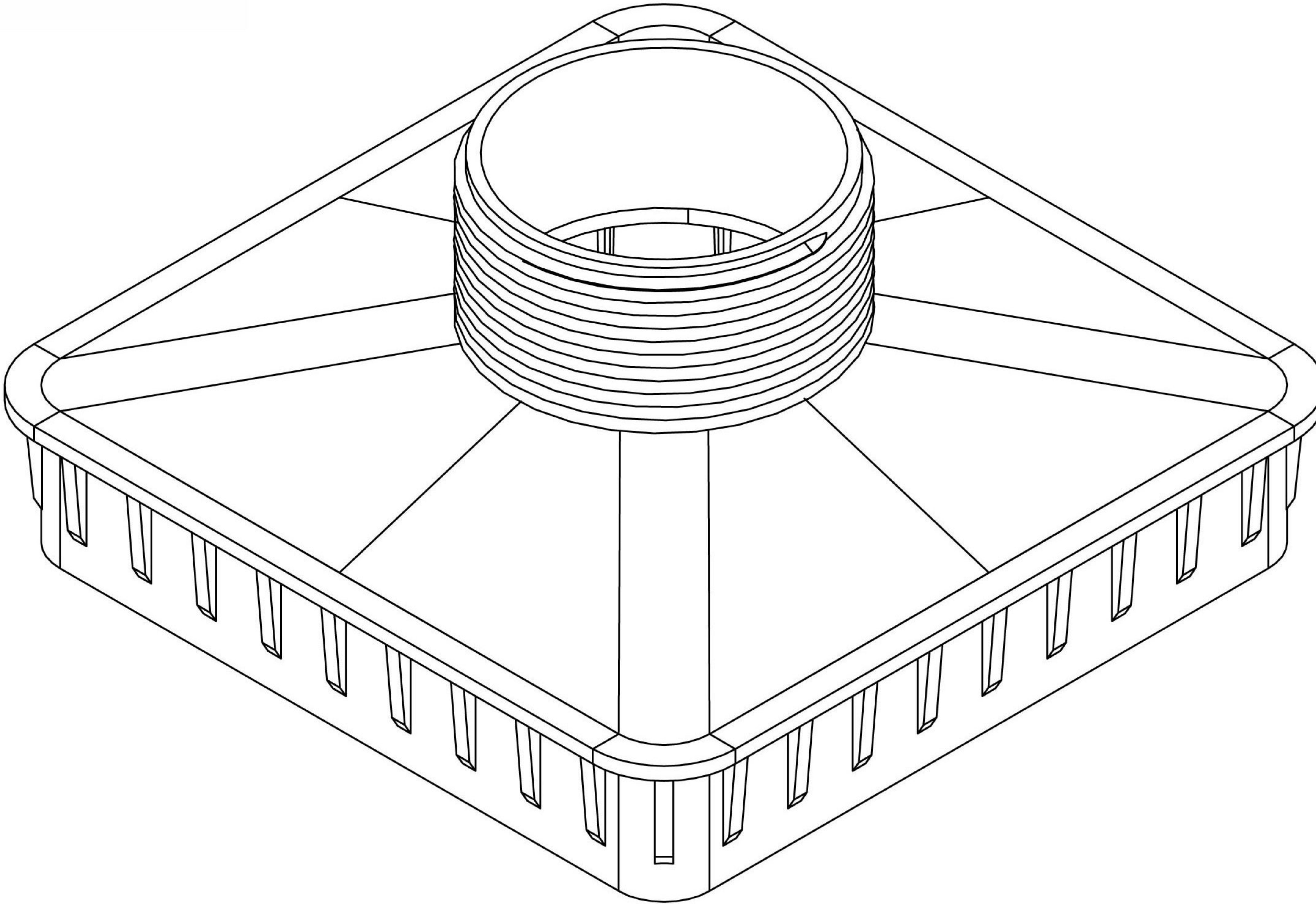
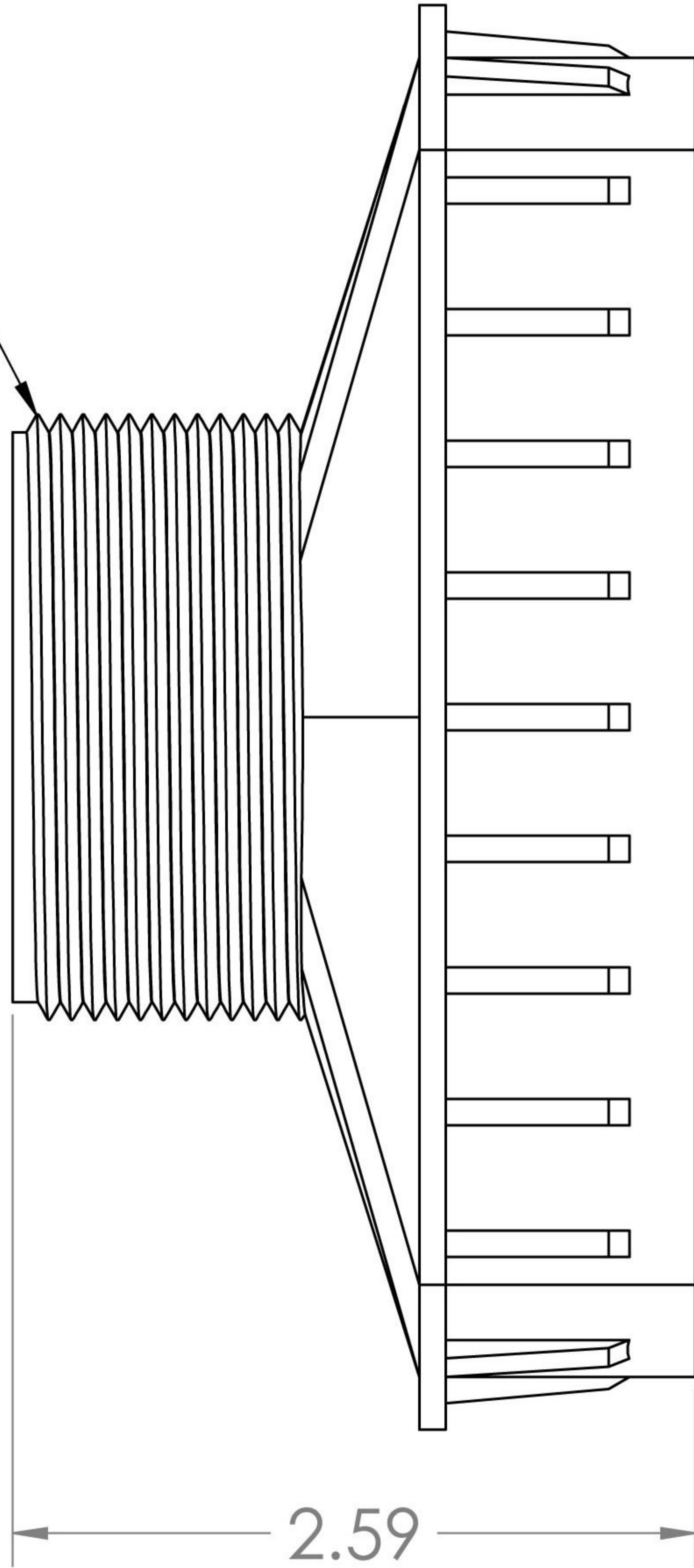




## Tile Drain Collar (body)



2" NPT



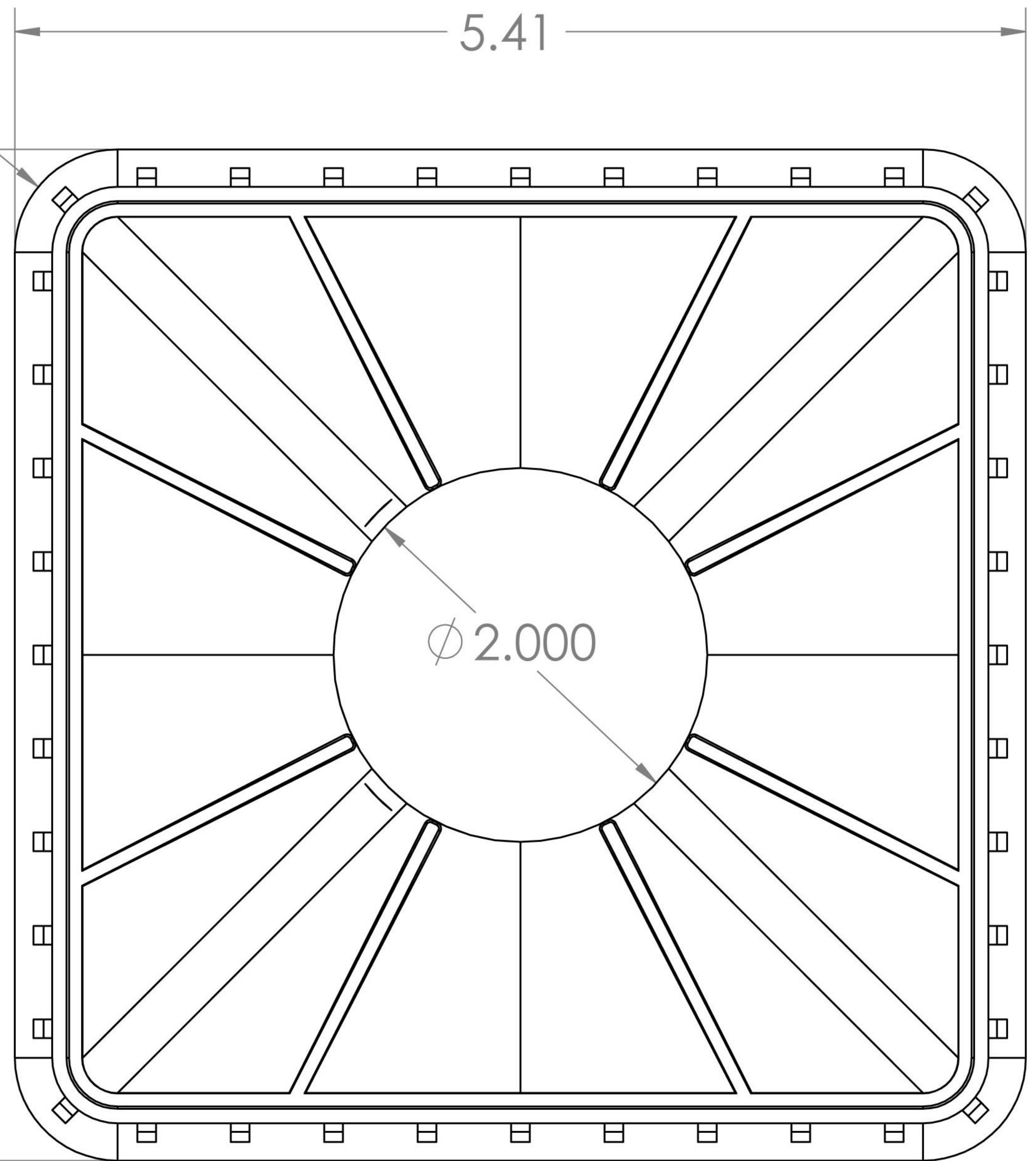
2.59

4X R.55

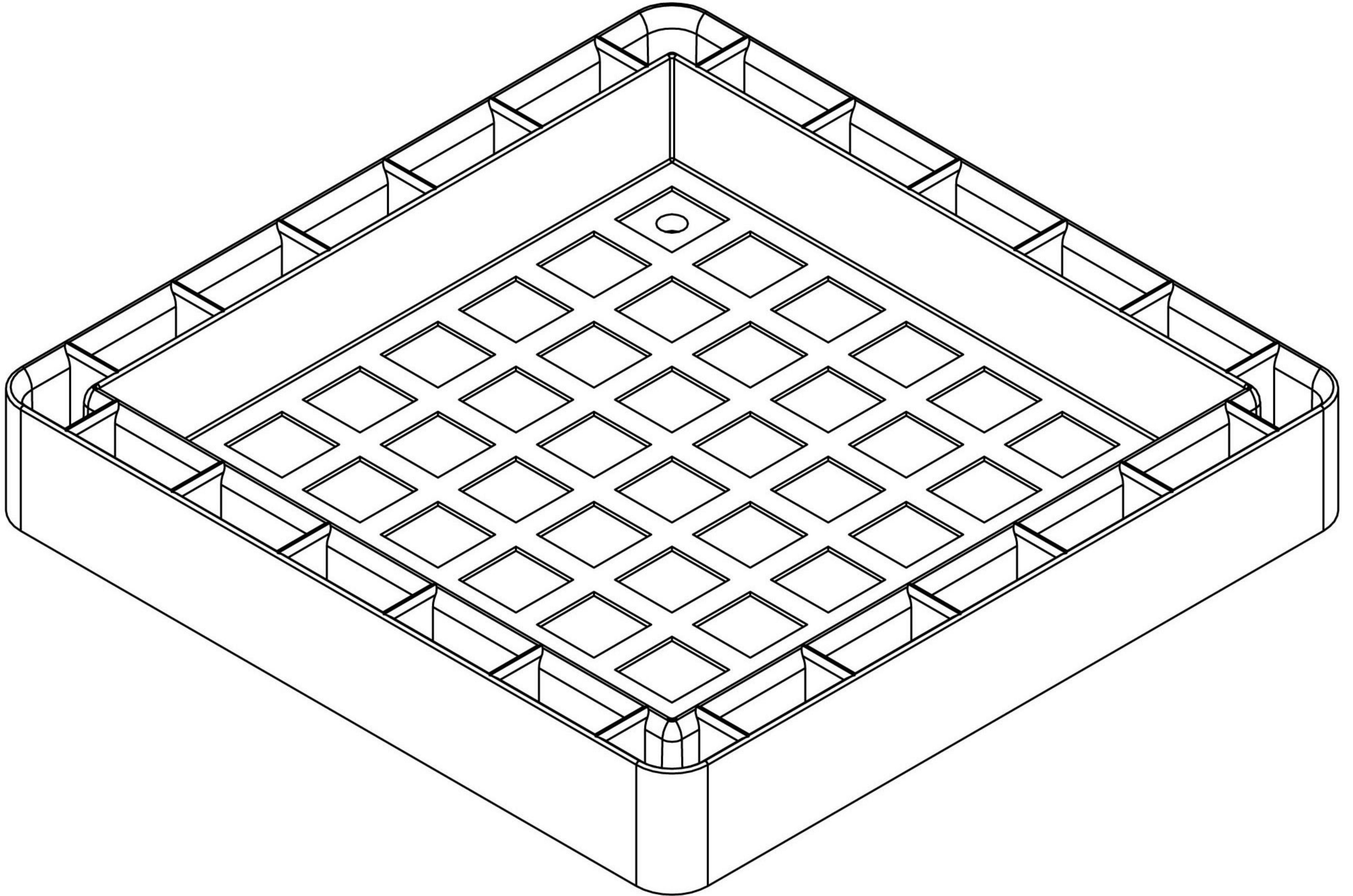
5.41

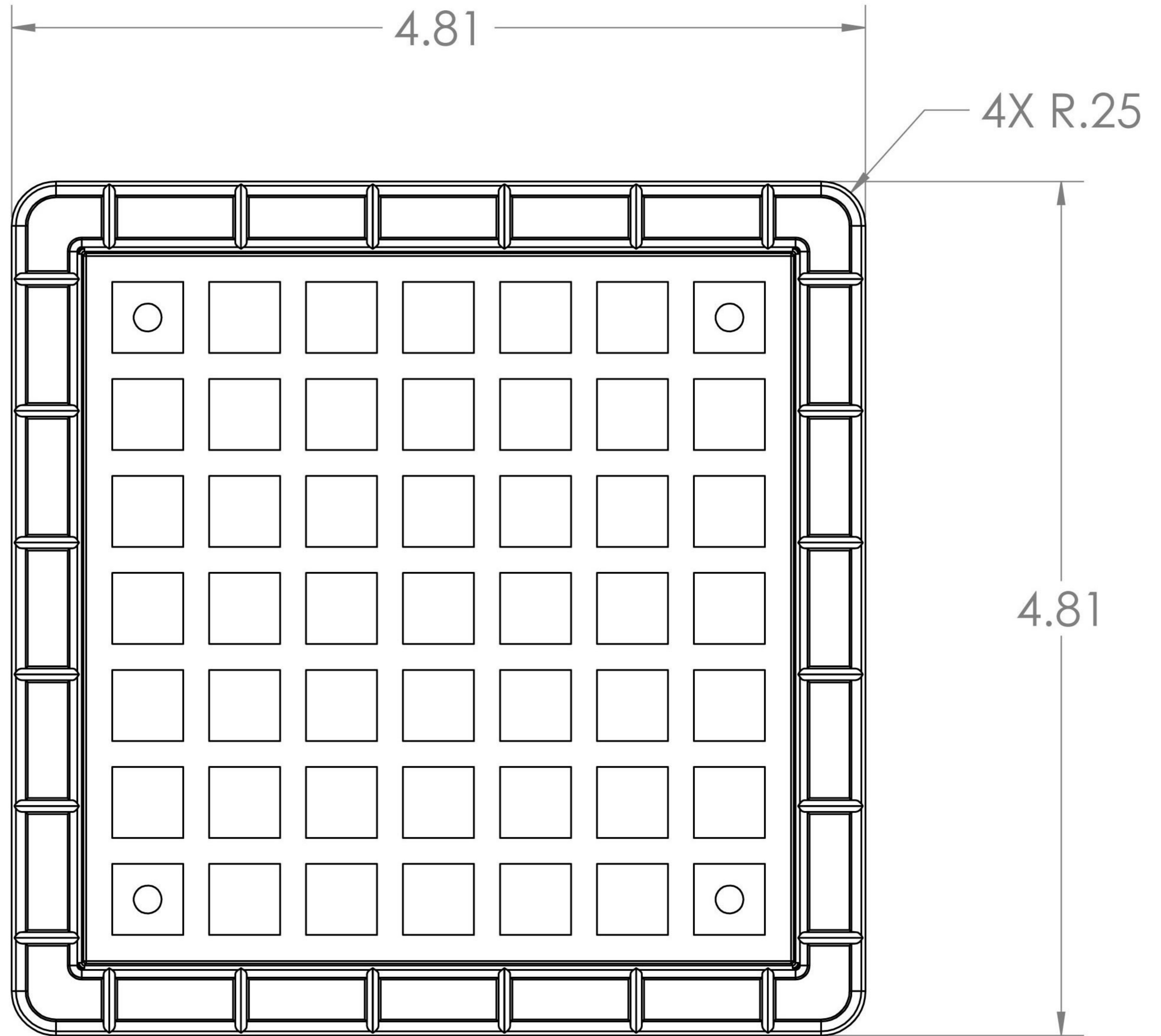
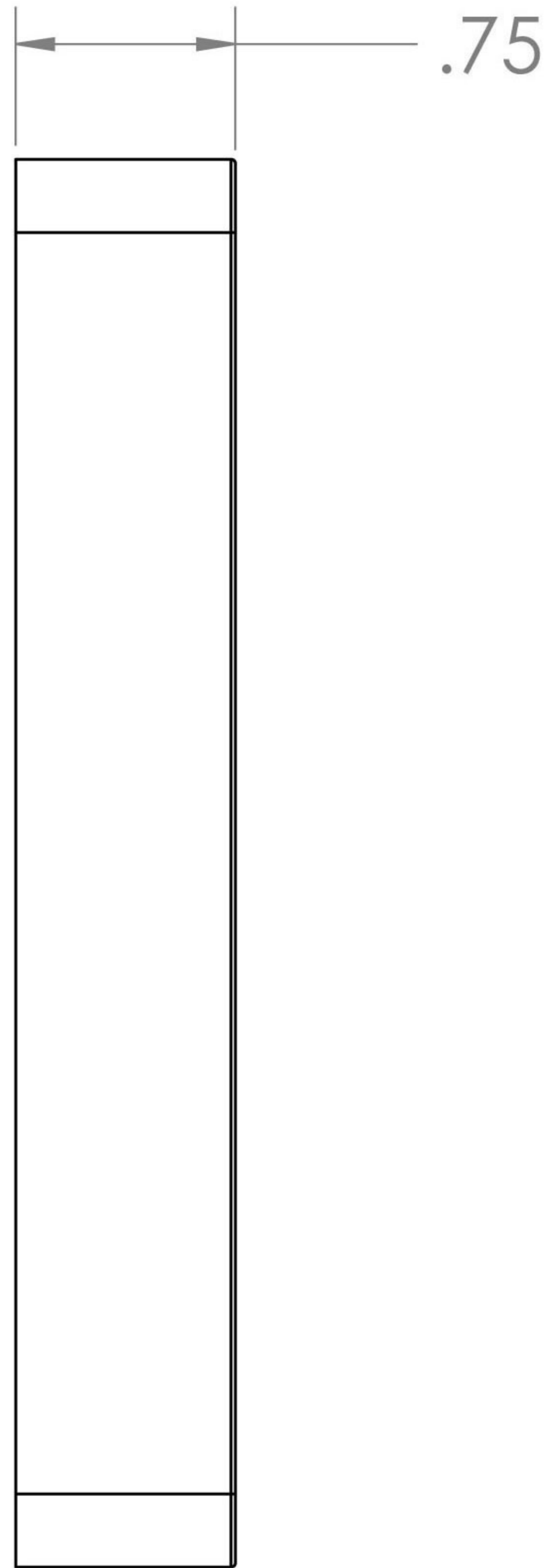
5.41

Ø 2.000



# Tile Drain Tray (Tile insert)





Buy at [www.FlooringSupplyShop.com](http://www.FlooringSupplyShop.com)

\*ALL DIMENSION ARE REFERENCE UNLESS SPECIFIED

**PROPRIETARY AND CONFIDENTIAL**  
 THE INFORMATION CONTAINED IN THIS DRAWING IS THE SOLE PROPERTY OF EDGE PLASTICS. ANY REPRODUCTION IN PART OR AS A WHOLE WITHOUT THE WRITTEN PERMISSION OF EDGE PLASTICS IS PROHIBITED.

	NAME	DATE	TITLE:		
DRAWN	Aventura	07/19/12	4 INCH DRAIN		
CHECKED			SIZE	DWG. NO.	REV
MATERIAL			<b>C</b>	4 INCH DRAIN	<b>A</b>
FINISH			SCALE: 1:1	WEIGHT:	SHEET 1 OF 1