



Instructions

Electrically Heated Towel Warmers

Ethylene Glycol Electrically heated brass towel warmers, floor and wall mounted.
For use on 110 Volt AC 60Hz. 1PH electrical supply

INSTALLATION INSTRUCTIONS

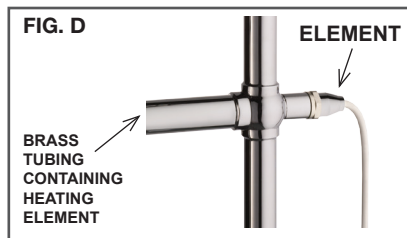
The Ethylene Glycol electrically heated brass towel warmers are substantially constructed and are designed for the use of drying towels and some items of clothing. Although they are not intended as room heaters they can contribute in small bathrooms or toilets with low heat losses.

IMPORTANT

All models, regardless of size, have similar surface temperatures, which is not detrimental to towels or similar fabrics.

DO NOT Apply more than two layers of towels per rail.

DO NOT Use the bottom rail, as this contains the heating element therefore becomes hotter than other rails.

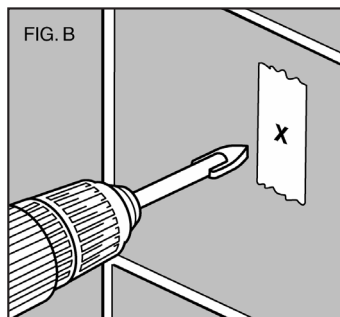
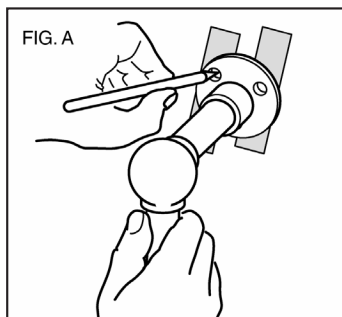


All electrical connections must be carried out by a licenced electrician in accordance with LOCAL ELECTRICAL CODES OR NATIONAL CODES.

MOUNTING INSTRUCTIONS

MOUNTING A TOWEL WARMER ONTO A CERAMIC TILED WALL/FLOOR

Where a brass towel warmer is to be mounted onto a ceramic tiled wall/floor we advise procedure as follows:-

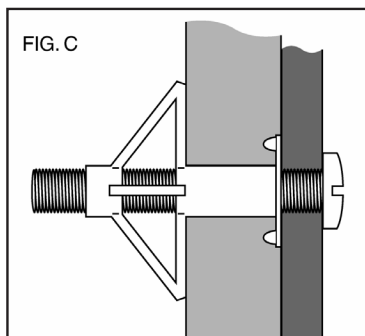


Apply masking tape to the tiles in the area you wish to mark the holes and mark the hole positions through onto the tape (Fig A). Leave tape on tiles to guide drill and using a 6mm masonry drill, drill holes (Fig B) to a depth of ½" before inserting wall plugs.

CAVITY WALLS (STUD/PANELS WALLS) AND DRY WALLS

When fixing to cavity walls use the correct wall plugs and screws designed for this purpose.

When fixing to dry walls it is important that you use Wall Anchors
- Approximately 2" in length (Fig C).



CONNECTION OF ELECTRICAL MODELS

Determine the position of the electrical connection box as this should align with the towel warmers integral brass cover.

IMPORTANT

TURN OFF THE ELECTRICITY SUPPLY AT THE MAINS PANEL BEFORE PROCEEDING FURTHER

A Field Wired standard electric box should then be installed in the position determined (Fig D)

A 110 Volt AC, GFCI protected supply circuit should be made to the box.

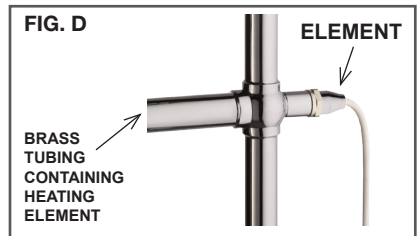
Affix your brass towel warmer loosely to the wall/floor using the no.8 2x10' wood-screws supplied in the installation pack, unless it is for dry walls please see (Fig C) as previously mentioned.

The towel warmers integral brass cover should align accurately with the electric box.

WIRE CONNECTION

Supply from brass towel warmer

- BLACK WIRE (HOT)
- WHITE WIRE (NEUTRAL)
- GREEN WIRE (BONDING GROUND)



The Heating Element Hot and Neutral and green wire bond leads should be connected to the corresponding supply leads via a suitably sized UL listed wire nut.

Grounding – The supply lead should be placed on the bottom of the terminal followed by a washer tightened by the following nut. Place heating element bonding lead (closed loop terminal) followed by a washer and nut; tighten.



HINTS & ADVICE

We strongly recommend the brass towel warmer is either used/controlled with a timer to save energy. Ensure that all electrical connections are made in accordance with National Electric/Local Codes, using at least 14 ATI's copper wire protected by a dedicated 15 amp Ground Fault Circuit Interruptor (GFCI) /2.5 amp fuse. It is imperative that all the components used comply with National Electric/Local Codes.

Vogue brass towel warmers are designed for either:-

- Independently using the standard ON/OFF switch
- In conjunction with a time switch
- In conjunction with a separate room thermostat (Please consult your electrician)

Once all wall/floor mounting screws have been tightened, the unit is now ready to be energised. Turn on the electric supply at the main panel and activate the brass towel warmer.

AFTERCARE

From time to time it is advisable to wash your brass towel warmer to maintain its pristine finish.

Please only use a cloth dampened in warm soapy water to do this.

NEVER USE ANY FORM OF ABRASIVE PAD OR CHEMICAL CLEANER WHICH COULD PERMANENTLY DAMAGE THE FINISH.

A warning label is attached to the product as a reminder. If cleaning is carried out by others (or by staff) please hang this label prominently on the product so that they are advised of its proper cleaning. Failure to observe these cleaning instructions can invalidate the product guarantee.

Diagrams depict generic models only and may not be truly representative of the item purchased

