



# ITD35 / ITD5135

ISLAND TUB DRAIN (ROUGH-IN) - TESTABLE

## Description:

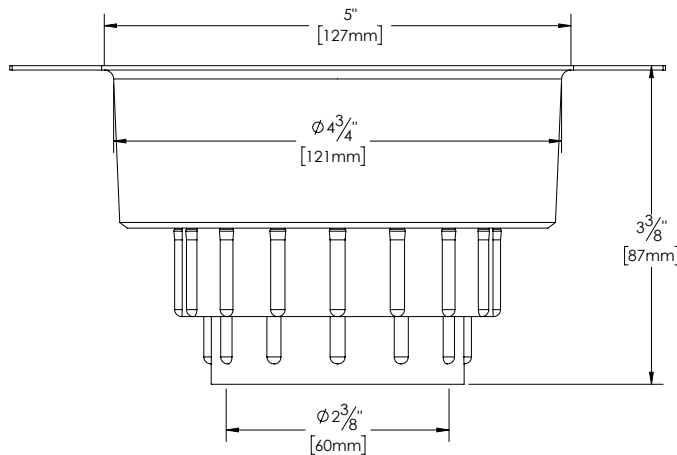
Island Tub Drain (Testable Rough-in) for Freestanding Tubs

Certification

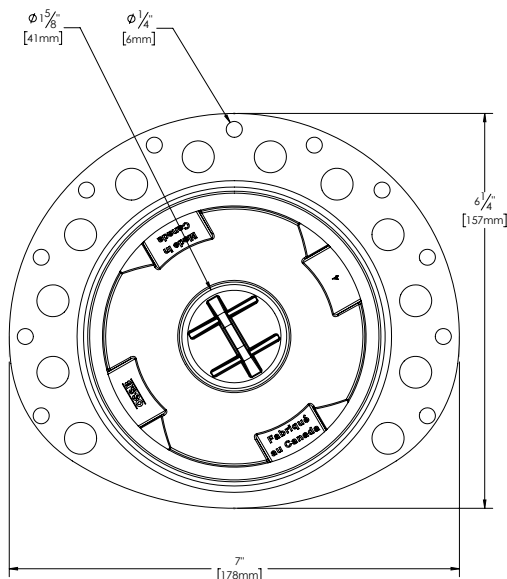


## Features:

- Asymmetric design 18 Gauge Epoxy coated Metal Deck Plate with holes to lock to Thinset
- Snap off Test Cap
- ITD35 features an ABS Body/Tailpiece.
- ITD5135 features a White PVC Body/Tailpiece
- ITD( ) is a Freestanding Tub rough-in (install before tile installation)
- Designed to be installed in an 8"/10" joist space with 1-1/2" / 2" P-Trap respectively
- Supplied with Brass Tailpieces (Threaded and Flanged) and ABS/PVC Waste/Over low Adaptor Kit
- Can be installed with Waterproofing Membrane



ITD35  
(ABS)



ITD5135  
(PVC)

All rights reserved. OS&B™ reserves the right to change product specifications and material or discontinue models without notice.

[www.flooringsupplyshop.com](http://www.flooringsupplyshop.com) F. 323.731.8453